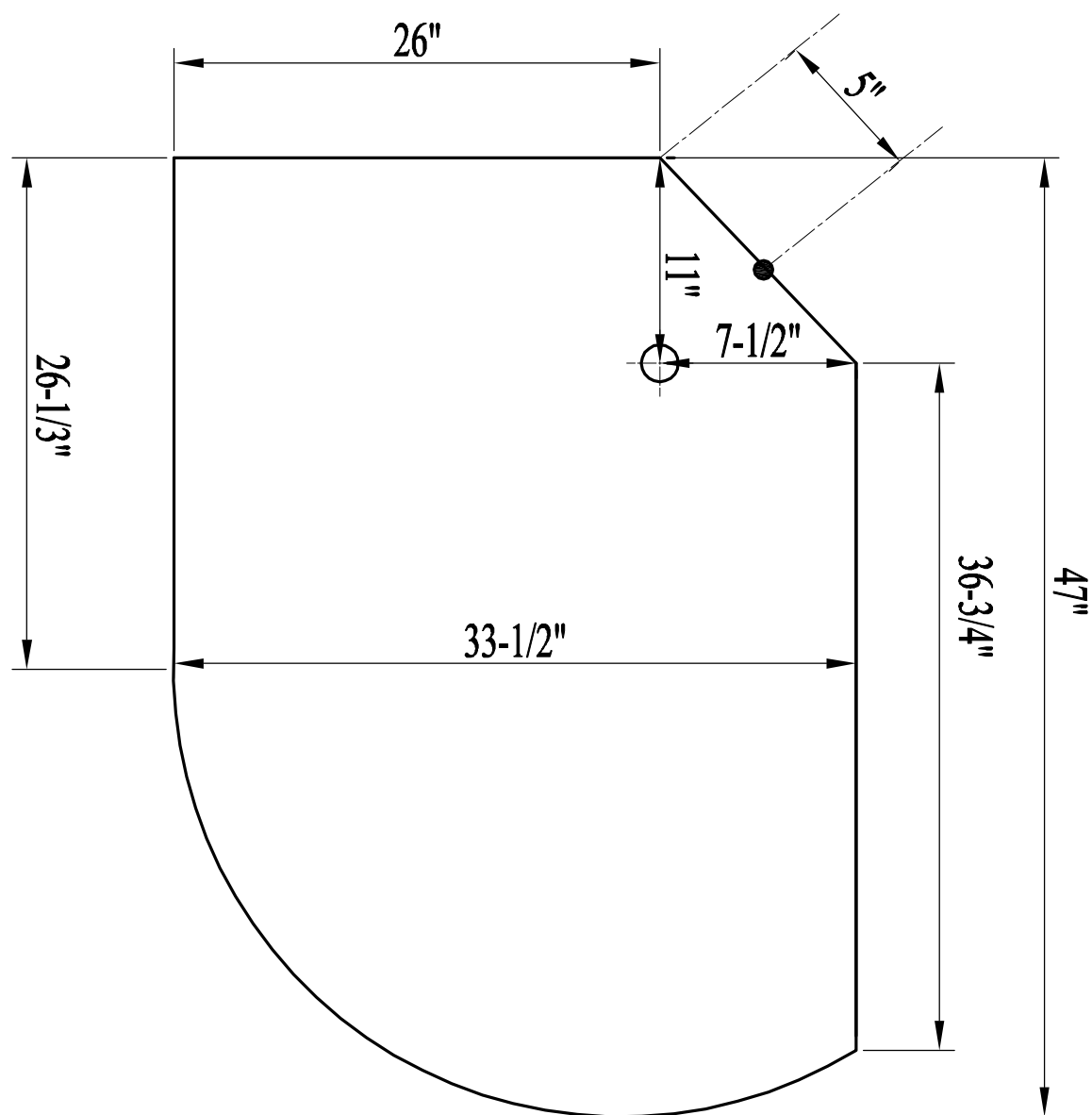


S-3448LH

Water Connections use 1/2" FIP:  
On back corner panel  
51" above the floor



A.H. Funrico, Inc