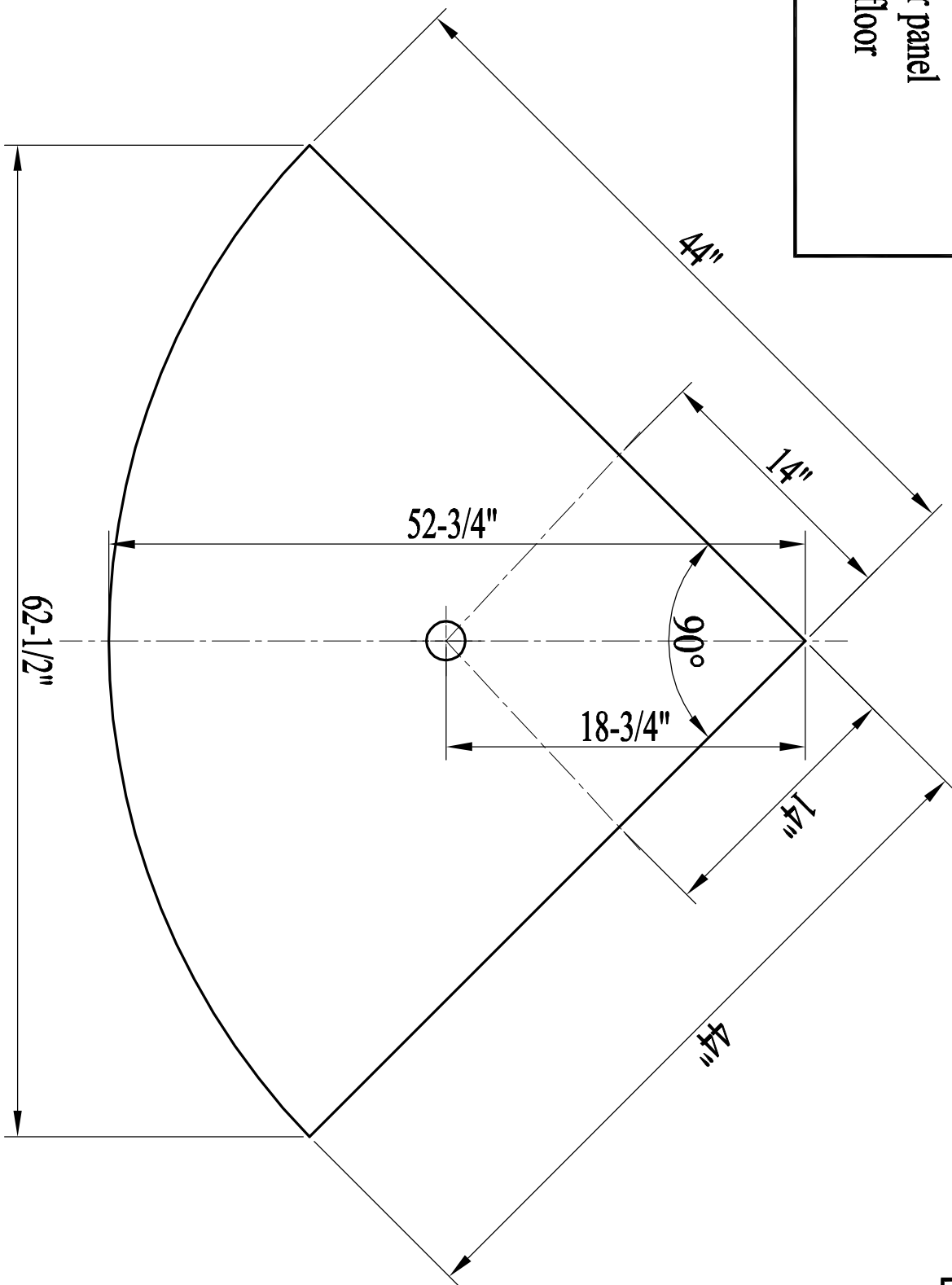


Water Connections use 1/2" FIP:  
On back corner panel  
47" above the floor



S-4848

A.H.Funrico.Inc