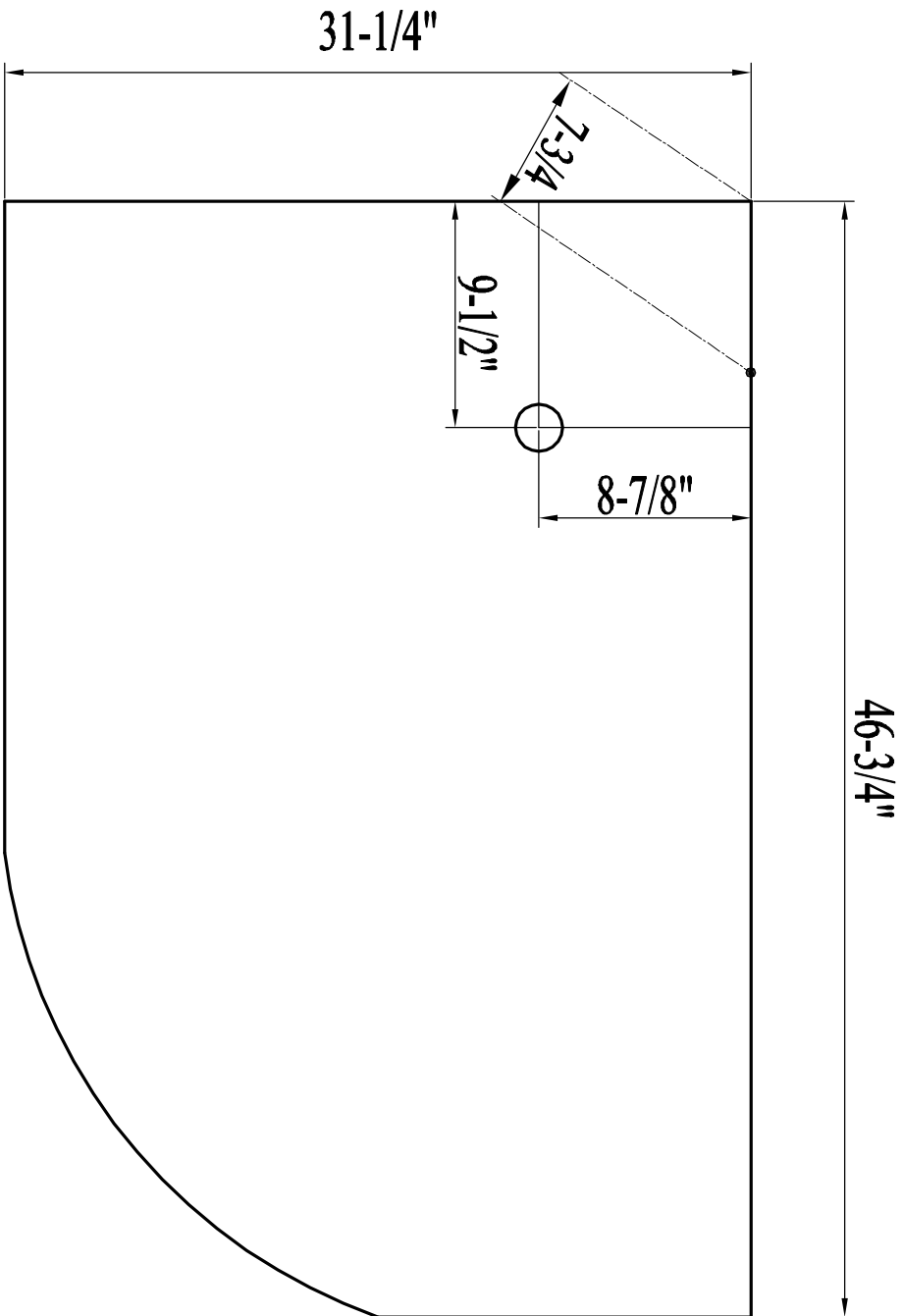


Water Connections use 1/2" FIP:
On back corner panel
49" above the floor



S-1615LH

A.H.Funrico.Inc